

FLOODLIGHTS

by
synerji
ELECTRICAL

LED FLOODLIGHT DOB

INTRODUCTION

Powerful, efficient, and built for dependable outdoor performance, Synerji LED DOB Floodlights deliver bright, consistent illumination in demanding environments. Designed with durable construction and quality components, they ensure reliable light output and long service life. Ideal for residential, commercial, and industrial applications, they offer a practical, professional solution for a wide range of outdoor spaces.

LED DOB FLOODLIGHT IP66- 50W

SYFLE050DL

DL - 6500K

Wattage: 50W

Lumens: 6 000 lm

Lumen Efficacy: 120 lm/W

Voltage: 220-240V ~ 50Hz

LS: 35 000 hrs

Material: Aluminium body

IP Rating: IP66

CRI (Ra): >80

Beam Angle: 120°

PF: 0.95

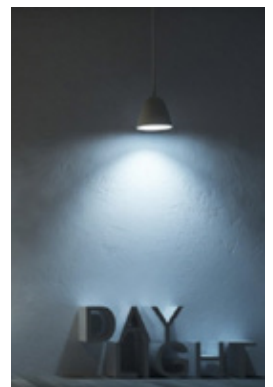
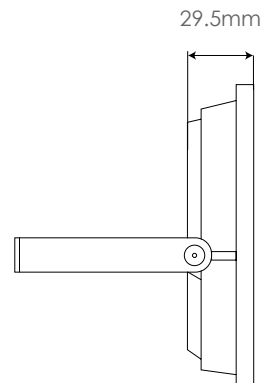
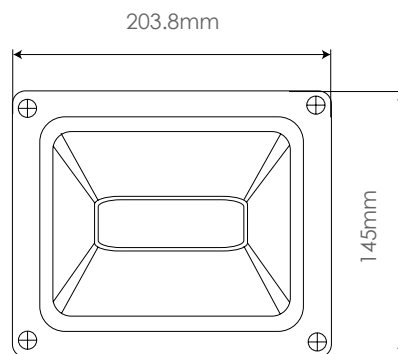
Humidity Range: 10-90%

Operating Temperature: -20°C to 45°C

Features: Adjustable 304 stainless steel mounting bracket, 4000V surge protection, 50cm Cabtyre cable.



DIMENSIONS



**DAYLIGHT
6000K**

NB - MUST BE INSTALLED BY A QUALIFIED ELECTRICIAN.