

# FLOODLIGHTS

by  
**synerji**  
ELECTRICAL

## LED FLOODLIGHT DOB

### INTRODUCTION

Powerful, efficient, and built for dependable outdoor performance, Synerji LED DOB Floodlights deliver bright, consistent illumination in demanding environments. Designed with durable construction and quality components, they ensure reliable light output and long service life. Ideal for residential, commercial, and industrial applications, they offer a practical, professional solution for a wide range of outdoor spaces.

FLOODLIGHTS

## LED DOB FLOODLIGHT IP66- 30W

**SYFLE030DL**

**DL - 6500K**

**Wattage:** 30W

**Lumens:** 3 600 lm

**Lumen Efficacy:** 120 lm/W

**Voltage:** 220-240V ~ 50Hz

**LS:** 35 000 hrs

**Material:** Aluminium body

**IP Rating:** IP66

**CRI (Ra):** >80

**Beam Angle:** 120°

**PF:** 0.95

**Humidity Range:** 10-90%

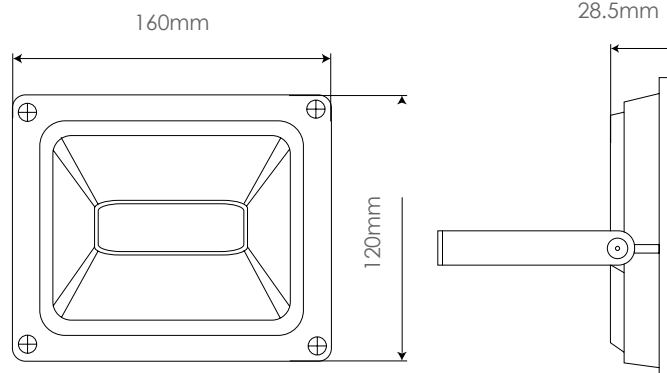
**Operating Temperature:**

-20°C to 45°C

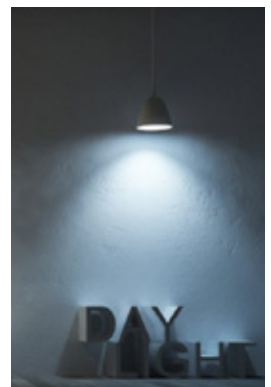
**Features:** Adjustable 304 stainless steel mounting bracket, 2000V surge protection, 50cm Cabtyre cable.



DIMENSIONS



**DAYLIGHT  
6000K**



**NB - MUST BE INSTALLED BY A QUALIFIED ELECTRICIAN.**