

FLOODLIGHTS

by
synerji
ELECTRICAL

LED FLOODLIGHT DOB

INTRODUCTION

Powerful, efficient, and built for dependable outdoor performance, Synerji LED DOB Floodlights deliver bright, consistent illumination in demanding environments. Designed with durable construction and quality components, they ensure reliable light output and long service life. Ideal for residential, commercial, and industrial applications, they offer a practical, professional solution for a wide range of outdoor spaces.

LED DOB FLOODLIGHT IP66- 100W

SYFLE0100DL

DL - 6500K

Wattage: 100W

Lumens: 12 000 lm

Lumen Efficacy: 120 lm/W

Voltage: 220–240V ~ 50Hz

LS: 35 000 hrs

Material: Aluminium body

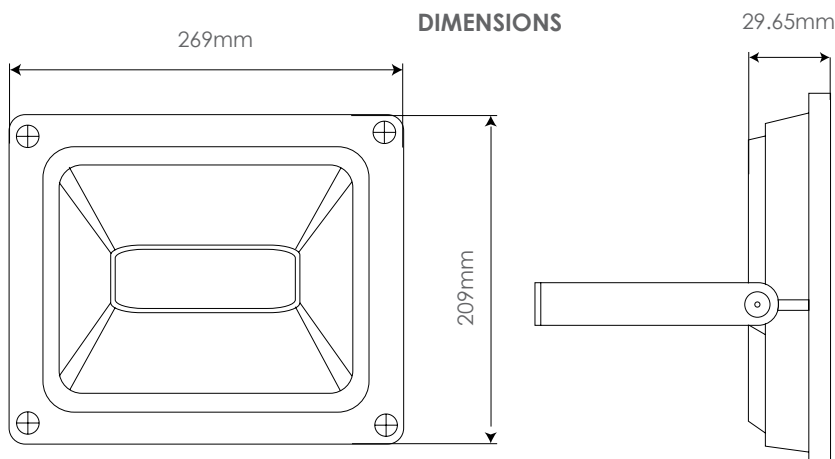
IP Rating: IP66 **CRI (Ra):** >80

Beam Angle: 120° **PF:** 0.95

Humidity Range: 10–90%

Operating Temperature: -20°C to 45°C

Features: Adjustable 304 stainless steel mounting bracket, 4000V surge protection, 50cm Cabtyre cable.



NB - MUST BE INSTALLED BY A QUALIFIED ELECTRICIAN.