

ELECTRICAL SOLUTIONS

by
synerji
ELECTRICAL

PVC DISTRIBUTION BOARDS SURFACE

INTRODUCTION

Versatile, dependable, and designed for flexible installation, Synerji Flush and Surface Distribution Boards provide a practical solution for a wide range of electrical applications. Built with a sturdy ABS enclosure and a durable PC door, they offer reliable protection and long-term performance. Suitable for residential, commercial, and industrial environments, these distribution boards deliver efficient power distribution with the flexibility to suit different installation requirements..

10 WAY IP40 DINRAIL - SURFACE MOUNT



SYDB10WSURDIN

Approval: CE, RoHS, HF test, IK test, ISO9001

IP Rating: IP40

IK Rating: IK08

Material: ABS;

Ambient temperature (°C): -5~+40,
50% humidity permitted under max +40°C

Colour: White Body & Smokey Lid

Fire resistance: 650°C/30s

Rated Voltage: 400VAC/1000V DC

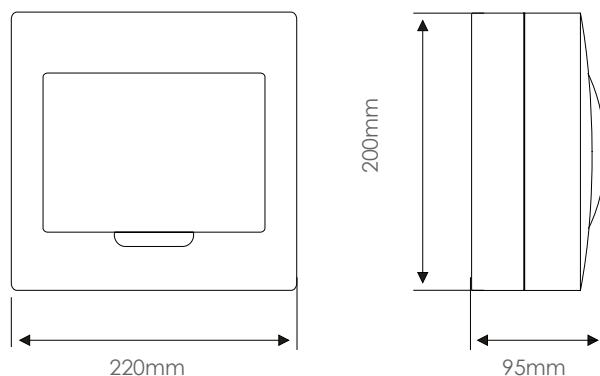
Rated Current: 125A

Terminal Block: Copper

Included: C/W Earth & Neutral Bar



DIMENSIONS



NB - MUST BE INSTALLED BY A QUALIFIED ELECTRICIAN.