

INDOOR SOLUTIONS

by
synerji
ELECTRICAL

ALABASTER CEILING FITTING

INTRODUCTION

The Synerji Alabaster Ceiling Fitting range offers a timeless lighting solution that blends classic design with soft, diffused illumination. Featuring an elegant alabaster glass shade and clean metal detailing, these fittings create a warm and welcoming atmosphere, making them ideal for living spaces, bedrooms, corridors, and dining areas where understated style and comfort are key. Designed to complement both traditional and contemporary interiors.

ALABASTER CEILING FITTING 400MM

SYAB15SCWC

Maximum Wattage: 3 × 60W

Lamp Base: 3 × E27

Material: Metal & alabaster glass

Voltage: 220–240V | 50Hz

IP Rating: IP20

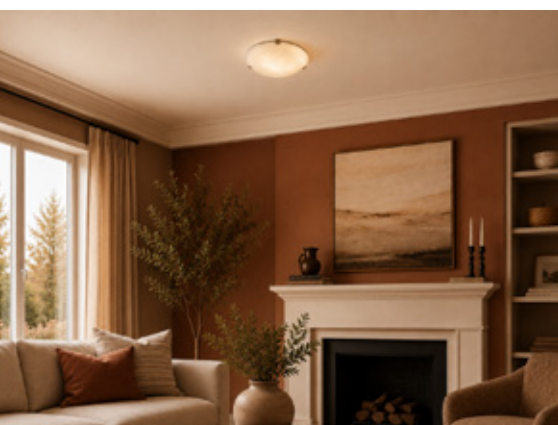
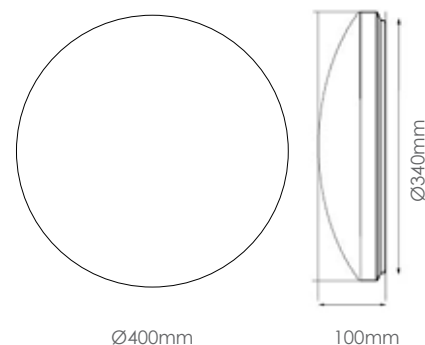
Material: Metal base &

Alabaster glass

LAMP EXCLUDED



DIMENSIONS



NB - To be installed by a qualified electrician.