

OUTDOOR LIGHTING



LED OUTDOOR WALL LIGHT CCT

INTRODUCTION

Built for durability and dependable performance, the Synerji Outdoor Integrated LED Wall Light delivers focused illumination in a sleek black finish that complements modern exteriors. Designed with a robust PC and ABS construction, it is UV resistant and anti-corrosion, making it ideal for long-term outdoor use. With efficient light output, reliable colour rendering, and weatherproof protection, this fitting is well suited to entrances, patios, boundary walls, and pathways—providing practical, low-maintenance lighting that performs in all conditions.

OUTDOOR

LED OUTDOOR WALL LIGHT 3.5W CCT

SYOWL02BK

Wattage: 3.5W Integrated LED

Lumens: 160 lm

Lumen Efficacy: 26 lm/W

Voltage: 220–240V ~ 50 Hz

Material: PC + ABS

Colour: Black

Colour Temperature: 3000K/ 4000K

IP Rating: IP65

LS: 30 000 hrs

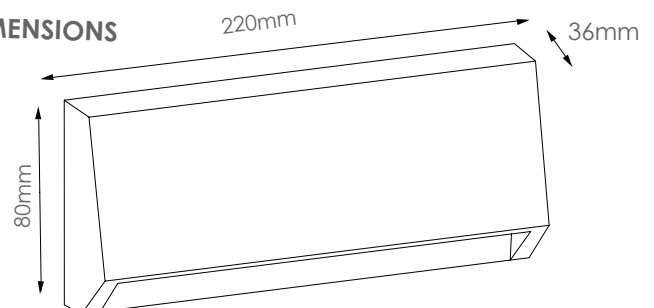
PF: 0.5

CRI (Ra): ≥ 80

Features: UV Resistant & Anti-corrosion



DIMENSIONS



WW - 3000K

CW - 4000K



NB - MUST BE INSTALLED BY A QUALIFIED ELECTRICIAN.