

DOMESTIC & INDUSTRIAL LAMPS



INFRARED LAMPS

INTRODUCTION

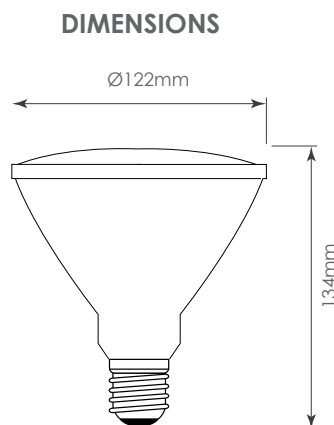
The Synerji Infrared Lamps delivers powerful, targeted heat ideal for animal care, food warming, and industrial use. Designed for maximum efficiency and longlasting performance, it provides consistent warmth where it's needed most. With its durable build and easy E27 screw installation, this versatile infrared lamp is a dependable choice for both commercial and domestic heating applications.

INFRARED LAMP 175W PAR38 E27

SYHIR175WR



- Wattage:** 175W
- Base Type:** E27
- Voltage:** 220-240V, 50Hz:
- Lamp Shape:** PAR38
- LS:** 5000 hrs
- IP Rating:** IP20
- Material:** Hard glass
- Colour:** Red
- Operating Temperature:** -20°C ~40°C



NB - MUST BE INSTALLED BY A QUALIFIED ELECTRICIAN.