



# FAN RANGE

Designed for comfort, built for cool!

by  
**synerji**  
ELECTRICAL

## LED CEILING FANS

### INTRODUCTION

The Synerji 52" Ceiling Fan is a high-performance ventilation solution designed to deliver efficient and quiet air circulation. Featuring a DC motor and three solid wood blades, it provides smooth, consistent airflow with reduced energy consumption. Finished in black with natural wood blades and supplied without an integrated light, this fan is suitable for residential and commercial interiors where reliable airflow, clean design, and modern aesthetics are required.

CEILING FANS

## 52" 3 BLADE - BLACK | LIGHT WOOD

**SYF3BLW**

**Speed:** 6 Speed Settings

**Blades:** 3 Blades

**Material:** Solid Wood + Metal

**Input Voltage:** 220-240V

**Power:** 31W

**RPM:** 185 Max

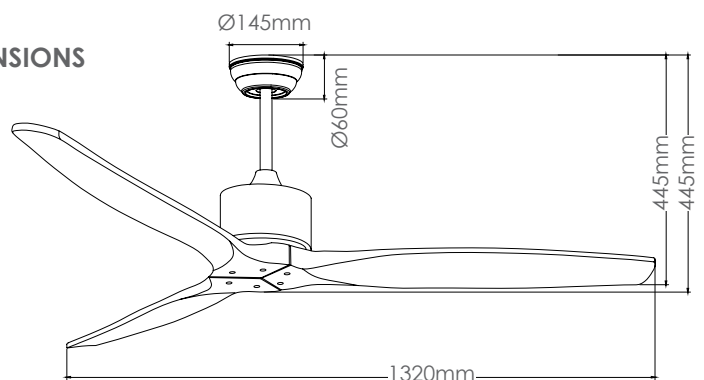
**Light Source:** Without Light Source

**Colour:** Black Body  
& Light wood Blades

**Remote Control:** Included



### DIMENSIONS



**NB - MUST BE INSTALLED BY A QUALIFIED ELECTRICIAN**