



INDUSTRIAL SOLUTIONS

by **synerji**
ELECTRICAL

LED HIGH-BAY

INTRODUCTION

The Synerji Led UFO High Bay has an Aluminium Body and Polycarbonate lens, providing a beam angle of 90°. It features a Mean Well Driver and Philips lumileds Chips. IP65 ingress protection rating, IK07 impact protection rating and 35000 hours of lamp life, the fitting offers a high value solution for Industrial Lighting applications. Hanging bracket provided for installation, alternative wall mount brackets are available as an accessory.

A Dimmable Driver is available as an alternative solution.

UFO - 150W

SYLHBU150DLCCT

Material: Aluminium body + PC Lens

Product Finish: Black

Wattage:

1. Low: 60% (90W)
2. Mid: 80% (120W)
3. High: 100% (150W)

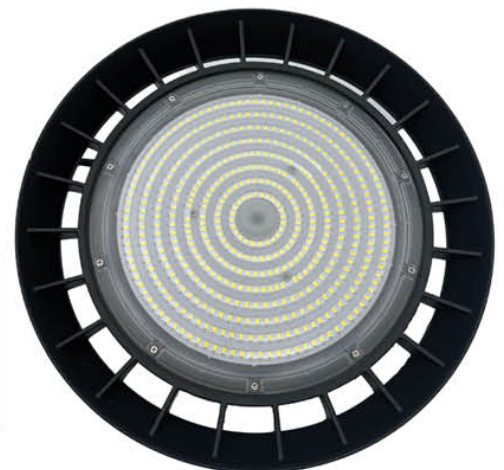
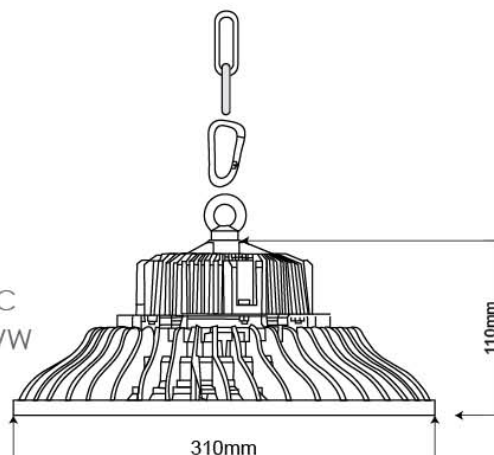
Changable CCT:

- A: 4000K
- A+B: 5000K
- B: 6500K

Input Voltage: 100-265VAC

Luminous Efficacy: 140LM/W

Warranty: 5 years



100-240V	12600lm	16800lm	21000lm	0.95 POWER FACTOR
50/60Hz	90W	120W	180W	

