



# INDUSTRIAL SOLUTIONS

by **synerji**  
ELECTRICAL

## LED HIGH-BAY

### INTRODUCTION

The Synerji Led UFO High Bay has an Aluminium Body and Polycarbonate lens, providing a beam angle of 90°. It features a Mean Well Driver and Philips lumileds Chips. IP65 ingress protection rating, IK07 impact protection rating and 35000 hours of lamp life, the fitting offers a high value solution for Industrial Lighting applications. Hanging bracket provided for installation, alternative wall mount brackets are available as an accessory.

A Dimmable Driver is available as an alternative solution.

### UFO - 100W

**SYLHBU100DLCCT**

**Material:** Aluminium body + PC Lens

**Product Finish:** Black

**Wattage:**

1. **Low:** 60% (60W)
2. **Mid:** 80% (80W)
3. **High:** 100% (100W)

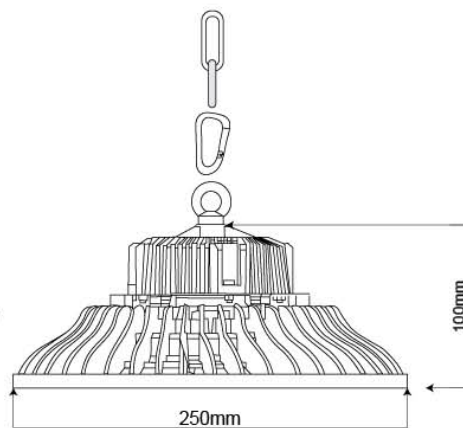
**Changable CCT:**

- A:** 4000K
- A+B:** 5000K
- B:** 6500K

**Input Voltage:** 100-265VAC

**Luminous Efficacy:** 140LM/W

**Warranty:** 5 years



100-240V	8400lm	11200lm	14000lm	0.95 POWER FACTOR
50/60Hz	60W	80W	100W	

