



OUTDOOR LIGHTING

by
synerji
ELECTRICAL

LED FACE FLOODLIGHT

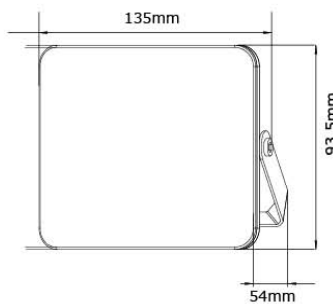
INTRODUCTION

Synerji Face Floods deliver a bold and modern LED lighting solution, available in heavy-duty Black or White finishes. Designed to offer a striking balance of colour, warmth, and power, these lights bring depth and dimension to any space. The opal PC diffuser softens the glow, casting a subtle yet dramatic illumination that transforms your environment. Pre-wired with an IP65-rated cable and easily mounted, the Face Flood is built for effortless installation and long-lasting performance. Adjustable mounting bracket is 304 Stainless Steel and finished with a black powder coating to resist corrosion in coastal regions.

WHITE - 20W

SYFLF20DLWH

- Material:** Heavy-duty Aluminum
- Adjustable Bracket:** 304 Stainless Steel
- Diffusor:** Opal PC
- Colour of Product:** White
- Size:** 135mm (W) x 93.5mm (H) x 54mm (D)
- IP Index:** IP65
- Power:** 20W
- Lumens:** 1350lm
- Surge Protection:** 4000V
- Colour Temperature:** 6000k
- Beam angle:** 120°
- Warranty:** 2 years



4000V SURGE PROTECTION	1350lm LUMENS	120° BEAM ANGLE
----------------------------------	-------------------------	---------------------------

Adjustable



This device is equipped with integrated LED chips.			LED
synerji ELECTRICAL			

OPERATING TEMPERATURE

← -20°C | | | | → +45°C

COLOUR TEMPERATURE: 3000k 4000k 6000k

WARM WHITE COOL WHITE DAYLIGHT

1500K 3000K 4500K 6500K

CRI: Ra>80 6000K