



# OUTDOOR LIGHTING



## LED FACE FLOODLIGHT

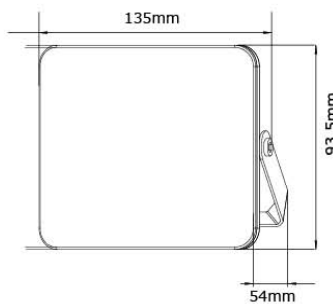
### INTRODUCTION

Synerji Face Floods deliver a bold and modern LED lighting solution, available in heavy-duty Black or White finishes. Designed to offer a striking balance of colour, warmth, and power, these lights bring depth and dimension to any space. The opal PC diffuser softens the glow, casting a subtle yet dramatic illumination that transforms your environment. Pre-wired with an IP65-rated cable and easily mounted, the Face Flood is built for effortless installation and long-lasting performance. Adjustable mounting bracket is 304 Stainless Steel and finished with a black powder coating to resist corrosion in coastal regions.

### BLACK - 20W

**SYFLF20DLBL**

- Material:** Heavy-duty Aluminum
- Adjustable Bracket:** 304 Stainless Steel
- Diffusor:** Opal PC
- Colour of Product:** Black
- Size:** 135mm (W) x 93.5mm (H) x 54mm (D)
- IP Index:** IP65
- Power:** 20W
- Lumens:** 1350lm
- Surge Protection:** 4000V
- Colour Temperature:** 6000k
- Beam angle:** 120°
- Warranty:** 2 years



<b>4000V</b> SURGE PROTECTION	<b>1350lm</b> LUMENS	<b>120°</b> BEAM ANGLE
----------------------------------	-------------------------	---------------------------

Adjustable



This device is equipped with integrated LED chips.

**synerji**  
ELECTRICAL

LED

A+  
A  
A  
C  
F  
E

OPERATING TEMPERATURE

-20°C | +45°C

COLOUR TEMPERATURE: 3000K | 4000K | 6000K

WARM WHITE | COOL WHITE | DAYLIGHT

1500K | 3000K | 4500K | 6000K

CRI: Ra>80  
6000K