



AIRFLOW SYSTEMS

EXTRACTOR FAN

INTRODUCTION

Available in 28W and 38W models, the Synerji Extractor Fan is ideal for residential and commercial spaces like bathrooms, toilets, and laundries. Its removable grille keeps flies and insects out while allowing easy cleaning. Powered by a durable ball bearing motor, it delivers quiet, reliable performance—perfect for any environment where air circulation and noise control matter. Whether you're upgrading your home or outfitting a commercial space, the Synerji Extractor Fan delivers reliable performance, easy upkeep, and a sleek, unobtrusive design that blends seamlessly into any setting.

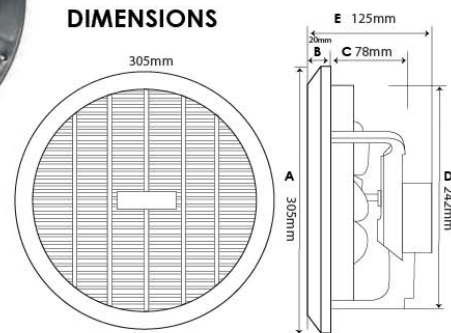
CEILING ROUND (305mm)

SYFA001

- Fitting Size:** 305mm
- Material:** Plastic, PP, Non-Vent Type
- Motor Type:** 100% Copper Ball Bearing
- Cut Size:** 242mm
- Wattage:** 28W
- Lead Length:** 450mm
- Voltage:** 240V 50Hz
- Current:** 0.16A
- Air delivery (m³/H):** 240m³/H
- Noise (dBA):** 49dBA
- Number of Speeds:** 1



DIMENSIONS



Model	A	B	C	D	E
SYHXF001	305	20	78	242	125