

OUTDOOR LIGHTING



LED DOB FLOODLIGHT

INTRODUCTION

The Synerji LED DOB Floodlight features advanced SMD chip technology, a durable aluminium die-cast body, tempered glass, and stainless-steel screws. Its adjustable metal bracket ensures easy installation, while the wide beam angle delivers excellent illumination coverage. Designed for reliability, the fitting offers superior ingress and impact protection, along with an extended lamp life, making it a high-value solution for general outdoor lighting in areas such as gardens and driveways. Adjustable mounting bracket is 304 Stainless Steel and finished with a black powder coating to resist corrosion in coastal regions. This fitting is non-dimmable.

DOB FLOODLIGHT - 20W

SYFLE020DL

Material: Aluminum body

Adjustable Bracket: 304 Stainless Steel

LED Fitting: IP65

Wattage: 20W

Lumens: 2000lm

Surge Protection: 2500V

Size: 118mm (W) x 93mm (h)

Warranty: 2 years

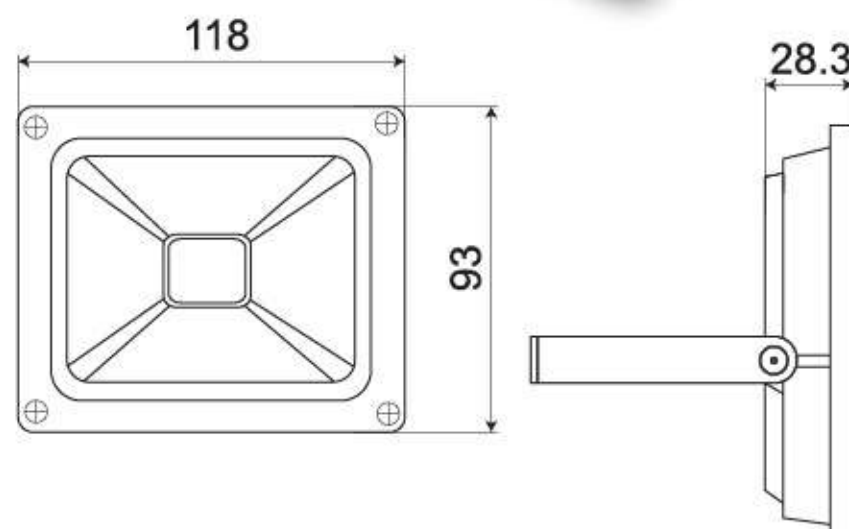
Dimmable: Non-dimmable

Rubber Cable: 50cm

Power Factor: > 0.95

Product Finish: Black

Luminous Efficacy: 36000LM± 3%



DAYLIGHT
6000K

2500V
SURGE
PROTECTION

2000lm
LUMENS

0.95
POWER
FACTOR