

# ELECTRICAL PRODUCTS

Reliable power, innovative design!

by  
**synerji**  
ELECTRICAL

## JUNCTION BOX ABS

### INTRODUCTION

Synerji's junction boxes—available with or without soft plugs, including waterproof models—offer reliable protection for a wide range of electrical installations.

Made from durable ABS and approved to international standards, they're built for safety, fire resistance, and long-term performance. Their clean white finish adds a professional look, while flexible design options suit both indoor and semi-outdoor use.

## IP67 WATERPROOF 175x175x100



**SYWPJBIP67175\*175\*100**

**Size:** 175mm(W) x 175mm(H) x 100mm(D)

**Standard:** IEC60529 IEC60670

**Approval:** CE, RoHS, HF test, IK test, ISO9001

**Protection degree:** IP67

**Material:** ABS

**Colour of base:** Grey

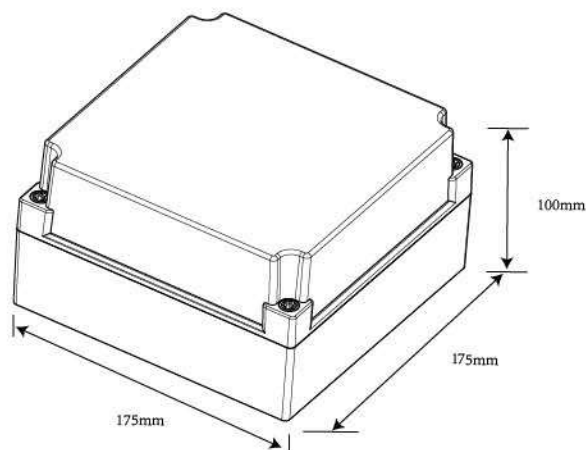
**Fire resistance:** 650°C/30s

**Ambient temperature(°C):** -5~+ 40

**Storage temperature(°C):** 40~+75

max.95%, humidity

**Warranty:** 3 years



<b>ABS</b>	<b>IP67</b>	<b>175x175 x100mm</b>
MATERIAL	RATING	DIMENSIONS